

ISO-BS-ASTM

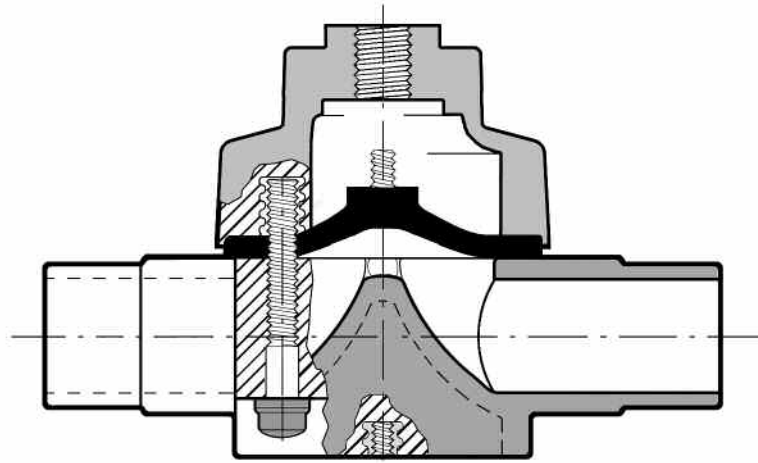
DM

- 
- 
- 
- 
- 
- 

3/2-

. FIP

. FIP'



d  
DN  
PN

( ) ( )

20°

g  
U  
s  
U-PVC  
PP-H  
PVC-C  
PVDF  
ABS  
EPDM  
FPM  
PTFE  
PE  
PA  
PPS  
k<sub>v100</sub>

( )

( )

- -

k<sub>v100</sub>  
k<sub>v100</sub> -  
Äp = 1

/

20°



FIP

U-PVC: ISO727, EN 1452, DIN 8063, BS4346/1, ASTM 2467/76a.  
 ISO161/1, EN 1452, DIN 8062, NF T54-016, BS3506, BS3505, ASTM

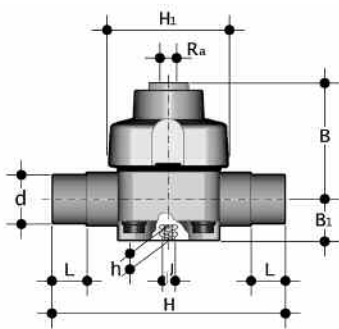
1785/76.

: UNI-ISO 228/1, DIN 2999, BS21.  
 : ISO 2084, EN 1452, DIN 8063, ASA ANSI B.16.5 150.

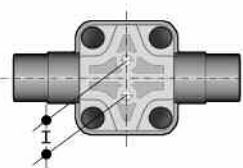
**DMDV/NO DMDM/NO**

ISO

U-PVC, PP-H



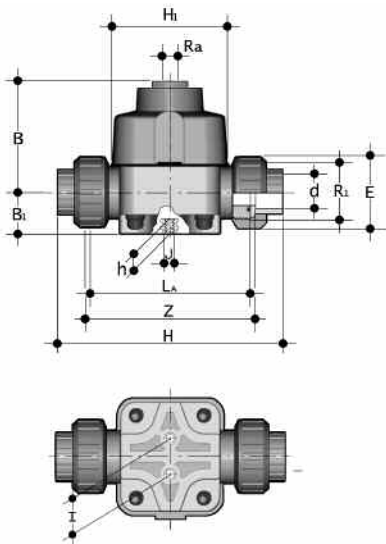
d	DN	PN	B	B <sub>1</sub>	H	h	H <sub>1</sub>	I	J	L	Ra	g
20	15	8	66	26	124	12	76	25	M6	16	1/4"	450
25	20	8	66	26	144	12	76	25	M6	19	1/4"	450
32	25	8	66	26	154	12	76	25	M6	22	1/4"	450
40	32	8	94	40	174	18	100	44,5	M8	26	1/4"	1000
50	40	8	94	40	194	18	100	44,5	M8	31	1/4"	1000
63	50	8	113	40	224	18	115	44,5	M8	38	1/4"	1600



**DMUIV/NO DMUIM/NO**

U-PVC, PP-H

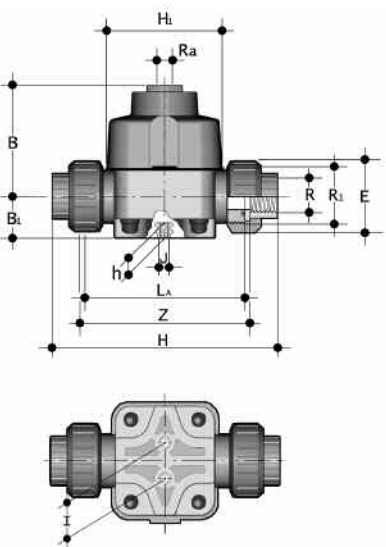
ISO



d	DN	PN	B	B <sub>1</sub>	H	h	H <sub>1</sub>	I	La	J	Z	E	R <sub>1</sub>	R <sub>a</sub>	g
20	15	8	66	26	147	12	76	25	108	M6	115	41	1"	1/4"	500
25	20	8	66	26	154	12	76	25	108	M6	116	50	1 1/4"	1/4"	500
32	25	8	66	26	168	12	76	25	116	M6	124	58	1 1/2"	1/4"	500
40	32	8	94	40	192	16	100	44,5	134	M8	140	72	2"	1/4"	1100
50	40	8	94	40	222	16	100	44,5	154	M8	160	79	2 1/4"	1/4"	1100
63	50	8	113	40	266	16	115	44,5	184	M8	190	98	2 3/4"	1/4"	1700

**DMUFV/NO**

U-PVC

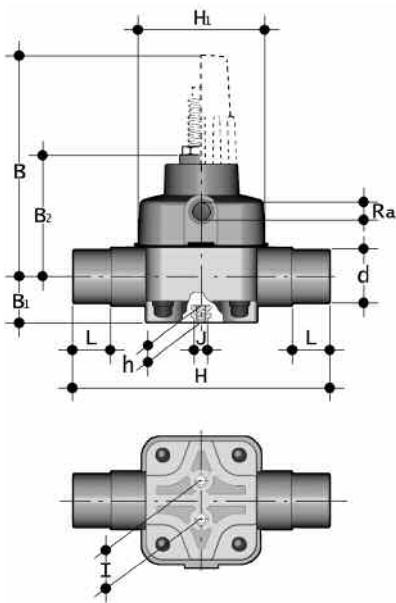


R	DN	PN	B	B <sub>1</sub>	H	h	H <sub>1</sub>	I	La	J	Z	E	R <sub>1</sub>	R <sub>a</sub>	g
1/2"	15	8	66	26	147	12	76	25	108	M6	115	41	1"	1/4"	500
3/4"	20	8	66	26	154	12	76	25	108	M6	116	50	1 1/4"	1/4"	500
1"	25	8	66	26	168	12	76	25	116	M6	124	58	1 1/2"	1/4"	500
1 1/4"	32	8	94	40	192	16	100	44,5	134	M8	140	72	2"	1/4"	1100
1 1/2"	40	8	94	40	222	16	100	44,5	154	M8	160	79	2 1/4"	1/4"	1100
2"	50	8	113	40	266	16	115	44,5	184	M8	190	98	2 3/4"	1/4"	1700

**DMDV/NO-LI DMDM/NO-LI**

U-PVC, PP-H

ISO

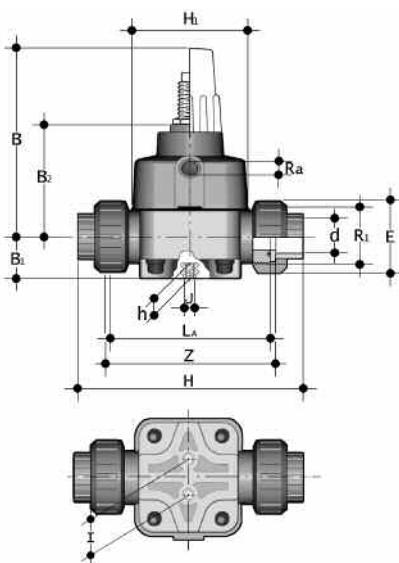


d	DN	PN	B	B <sub>1</sub>	B <sub>2</sub>	H	h	H <sub>1</sub>	I	J	L	R <sub>a</sub>	g
20	15	8	129	26	66	124	12	76	25	M6	16	1/4"	545
25	20	8	129	26	66	144	12	76	25	M6	19	1/4"	545
32	25	8	129	26	66	154	12	76	25	M6	22	1/4"	545
40	32	8	178	40	94	174	18	100	44,5	M8	26	1/4"	1260
50	40	8	178	40	94	194	18	100	44,5	M8	31	1/4"	1260
63	50	8	224	40	113	224	18	115	44,5	M8	38	1/4"	1930

**DMUIV/NO-LI DMUIM/NO-LI**

U-PVC, PP-H

ISO



d	DN	PN	B	B <sub>1</sub>	B <sub>2</sub>	H	h	H <sub>1</sub>	I	La	J	Z	E	R <sub>1</sub>	R <sub>a</sub>	g
20	15	8	129	26	66	147	12	76	25	108	M6	115	41	1"	1/4"	600
25	20	8	129	26	66	154	12	76	25	108	M6	116	50	1 1/4"	1/4"	600
32	25	8	129	26	66	168	12	76	25	116	M6	124	58	1 1/2"	1/4"	600
40	32	8	178	40	94	192	16	100	44,5	134	M8	140	72	2"	1/4"	1350
50	40	8	178	40	94	222	16	100	44,5	154	M8	160	79	2 1/4"	1/4"	1350
63	50	8	224	40	113	266	16	115	44,5	184	M8	190	98	2 3/4"	1/4"	2050

1.

2.

3.

4.

1.

2.

3.

4.

1.

2.

3.

(5)

(4)

(2)

(1).

(8)

(14)

(2)

(4).

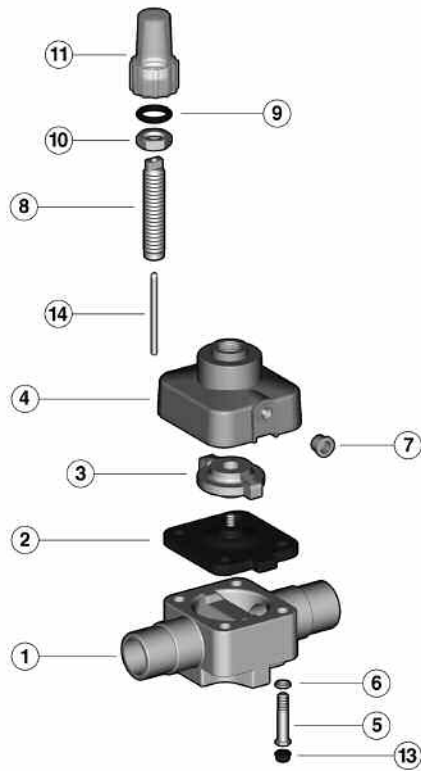
(1)

(5)

(4).

(11)

(9)



1		PVC-PP	1
2		ERDM	1
3	(**)	PBT	1
4		PP	1
5			4
6			4
7	(*)		1
8		AL	1
9		NBR	1
10	(*)		1
11	(*)	PVC	1
12		PE	1
13		PE	4
14		PAMXD6	1

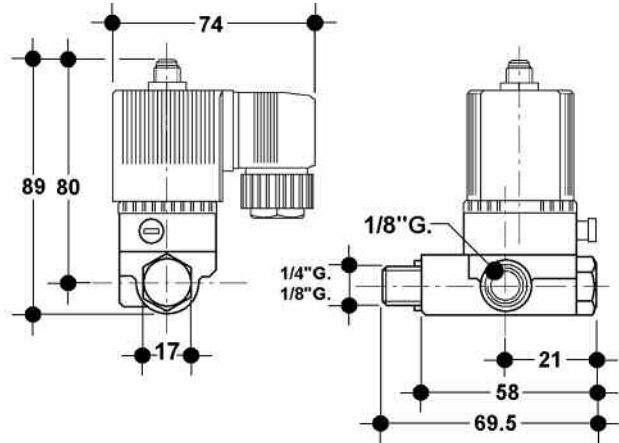
(\*)



**SP**

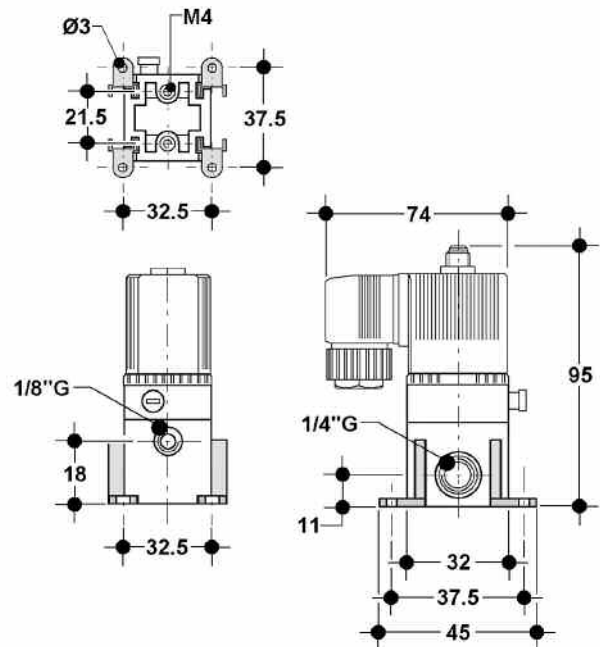
3/2

DN 2,5


**SB**

3/2

DN 2,5



**SP - SB**

(NC)  
(NO)

2,5

PBTB

NBR

0-10

-10 - +60°

200 / (6 - P 1)

230/110/24 ±10%

40-60

200/110/100/48/24/12 ±10%

: 24

; 17 /8

: 8

4 90° Pg9 (6-9 )

IP65

100% ( )

(60%

)

: . 10-15 , . 15-20

: . 15-20 , . 10-22

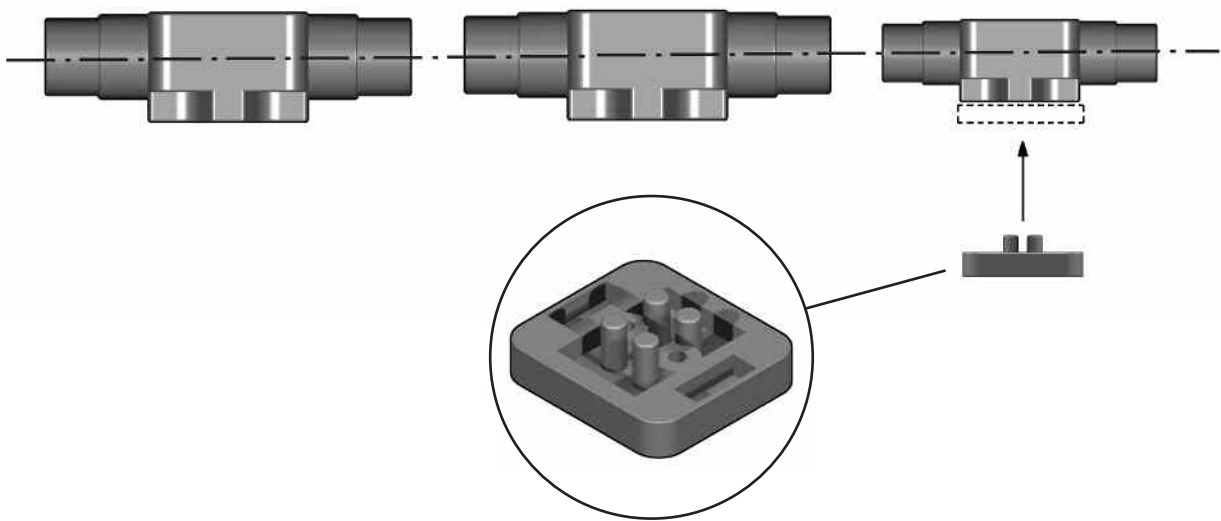
290

24.15...

24.15

Dn 15-20-32.

Dn 32-40-50.  
4



	DN	
DM	15÷50	ZPL2415001